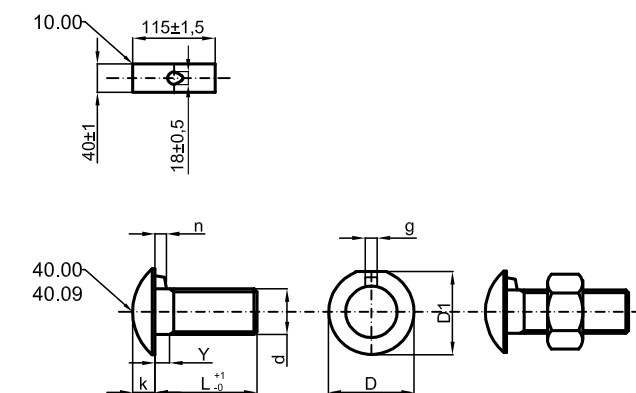
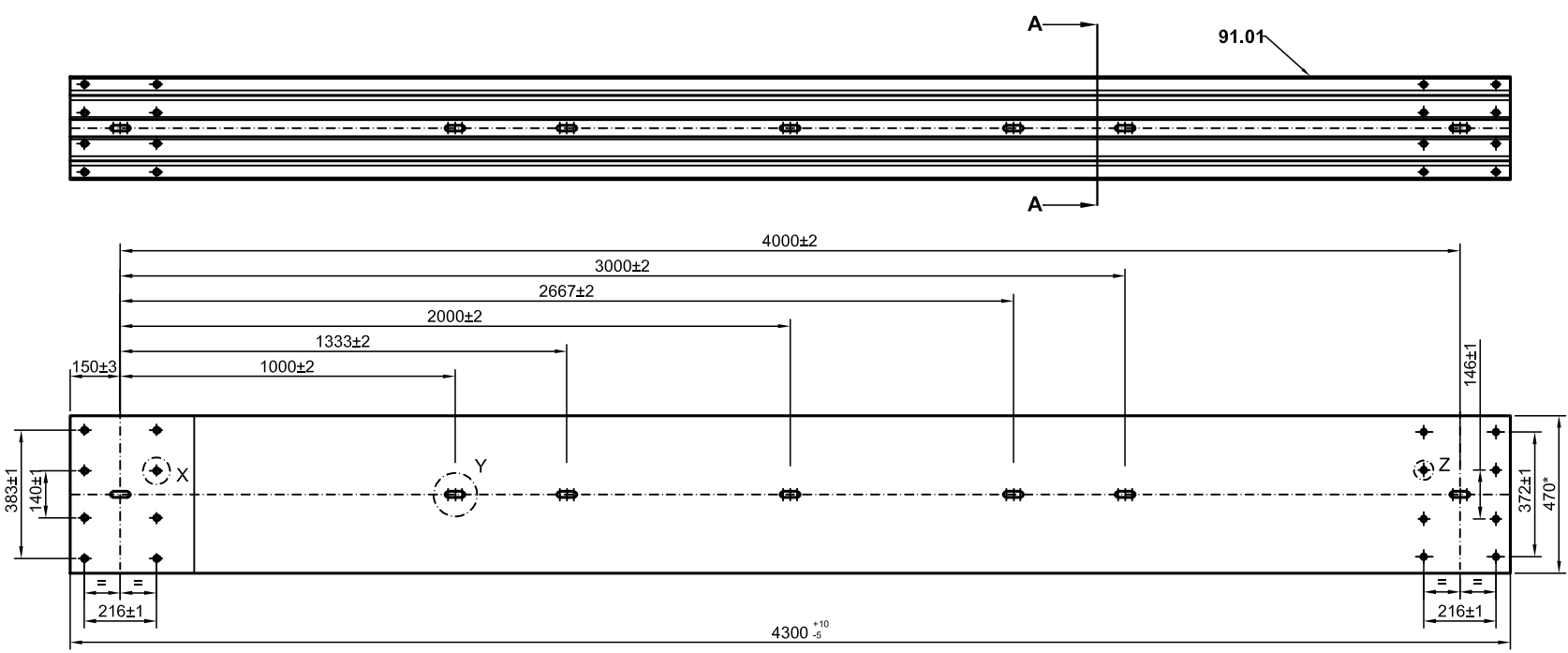
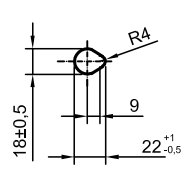


Tolerances of the non-deformed bands according to DIN EN 10051 refer to a nominal width of 238mm

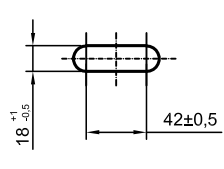


| Part No. | d   | L  | Y | D  | D1 | k | n | g   |
|----------|-----|----|---|----|----|---|---|-----|
| 40.00    | M16 | 27 | 5 | 30 | 29 | 8 | 4 | 4,2 |
| 40.09    | M16 | 45 | 5 | 30 | 29 | 8 | 4 | 4,2 |

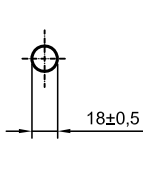
Detail X



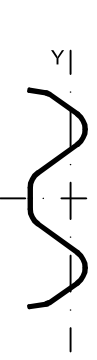
Detail Y



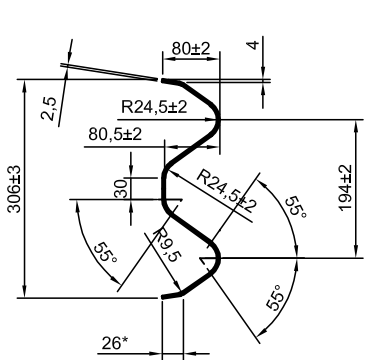
Detail Z



Deflection Y-axis ±5



A-A



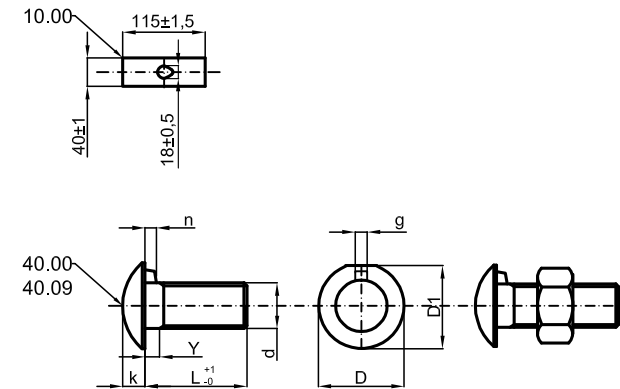
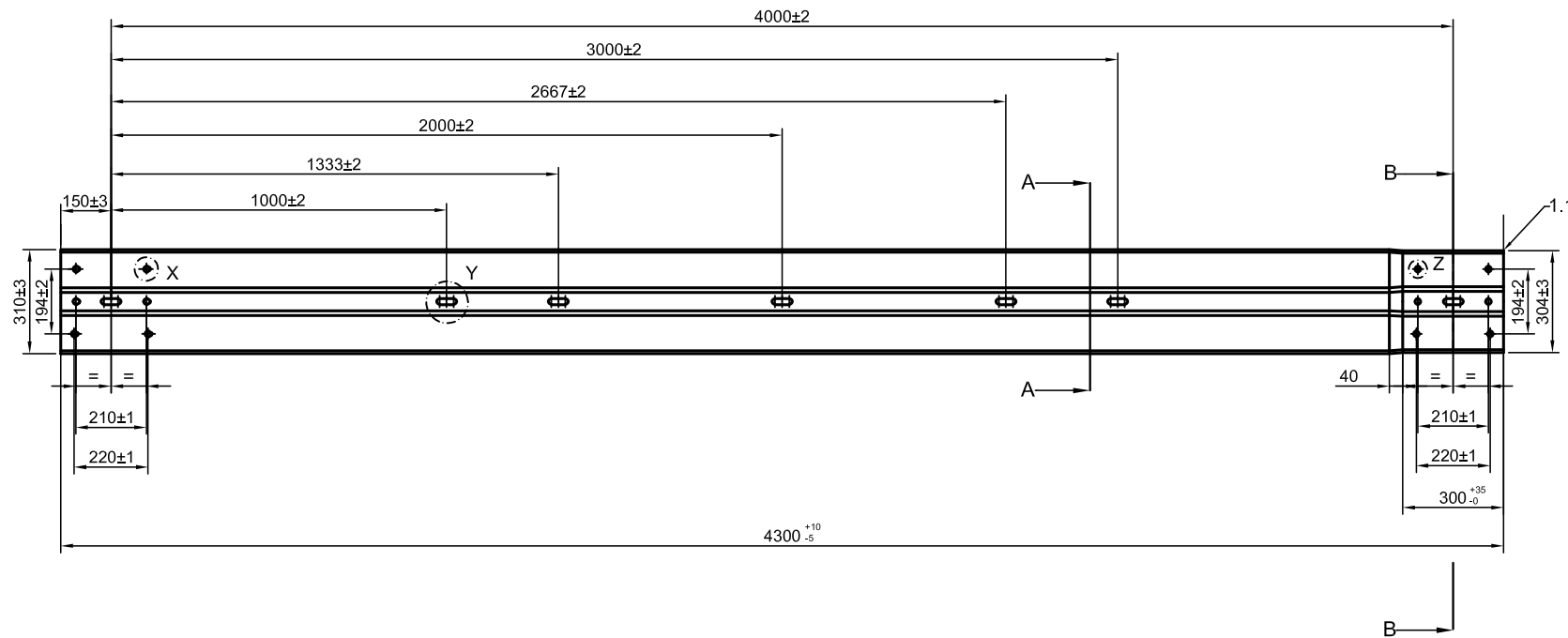
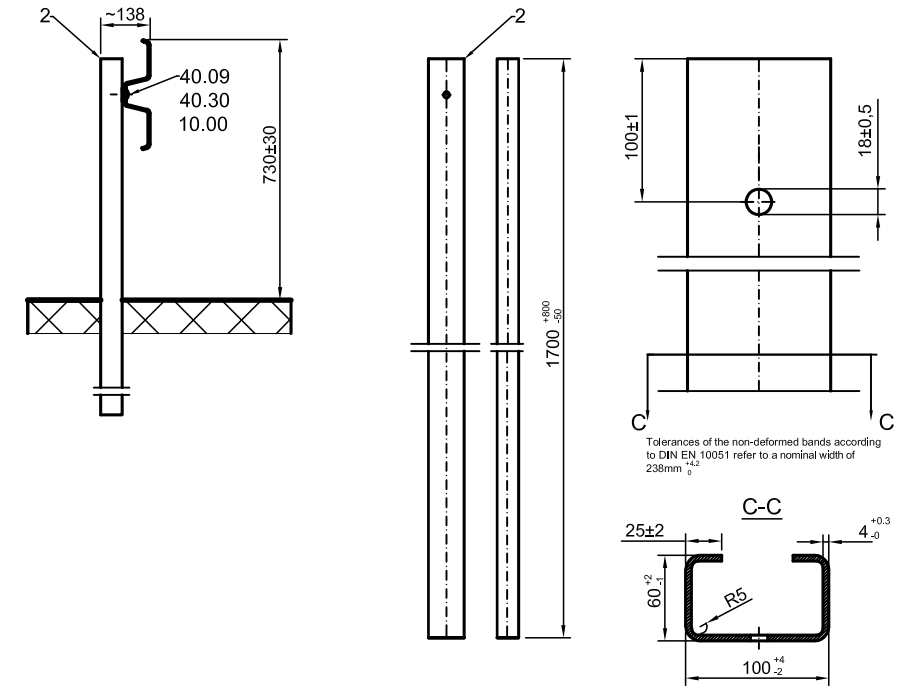
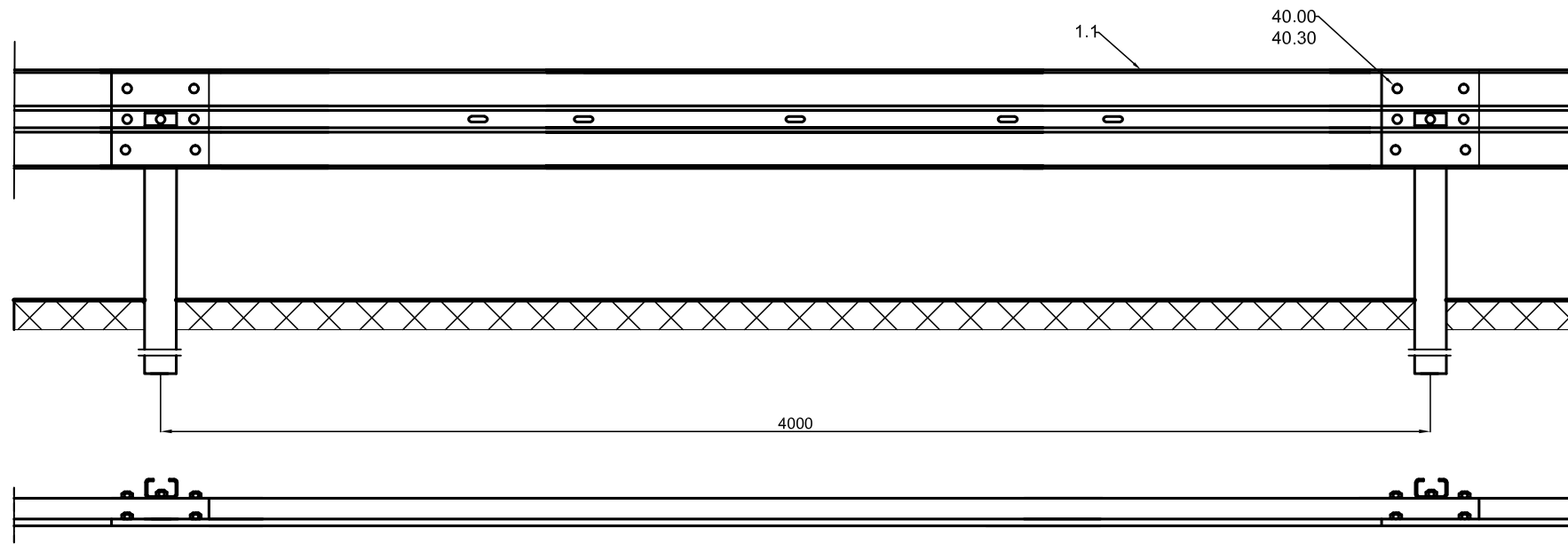
\*) In these measurements the bandwidth tolerance is recorded. Tolerances of the non-deformed bands according to DIN EN 10051 refer to a nominal width of 470mm and a nominal thickness of 2,5mm ± 0,17

| Part No. | Qty. | Description                 | Dimension        | Single-weight | Overall weight | Material / Quality | Norm               | Drawing |
|----------|------|-----------------------------|------------------|---------------|----------------|--------------------|--------------------|---------|
| 91.01    | 12   | Guardrail beam Profil A     | Bl. 470x2,5x4300 | 38,90         | 466,80         | S355JR             | EN 10025 / EN 1461 | 2.1.4   |
| 2        | 12   | Post C100/60/25/4           | Bl. 238x4x1700   | 13,00         | 156,00         | S355JR             | EN 10025 / EN 1461 | 2.1.2   |
| 10.00    | 12   | Butt plate M16              | Fl. 40x5x115     | 0,20          | 2,40           | S235JR             | EN 10025 / EN 1461 | 2.1.3   |
| 40.00    | 96   | HRK-bolt with nib, with nut | M16x27           | 0,08          | 7,68           | 4.6                | ISO 4032           | 2.1.3   |
| 40.09    | 12   | HRK-bolt with nib, with nut | M16x45           | 0,12          | 1,44           | 8.8                | ISO 4032           | 2.1.3   |
| 40.30    | 108  | Flat washer                 | U18              | 0,01          | 1,08           | 4.6                | ISO 7091           |         |

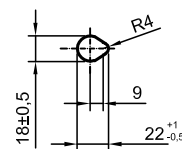
|  |                                    |                                |   |
|--|------------------------------------|--------------------------------|---|
| Weight of the construction: -                                  |                                    | Weight/Running metter: 13,3 kg | Test lenght: 48 m                                 |
| Title, Additional title:<br><b>passco L1 N2-A-W4 (ES 4.00)</b> |                                    |                                |   |
| Part number:<br>-  | Material:<br>S355JR;S235JR;4.6;8.8 | Surface:<br>galvanized         |   |
| Document number:<br>PL1 4.00 A                                 | Form.:<br>A3                       | Scale:<br>1:20(1:10) (1:5)     | Date of issue:<br>2023-06-26<br>Created by:<br>WB |



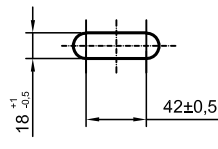


| Part No. | d   | L  | Y | D  | D1 | k | n | g   |
|----------|-----|----|---|----|----|---|---|-----|
| 40.00    | M16 | 27 | 5 | 30 | 29 | 8 | 4 | 4.2 |
| 40.09    | M16 | 45 | 5 | 30 | 29 | 8 | 4 | 4.2 |

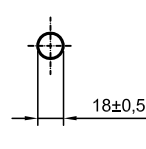
Detail X



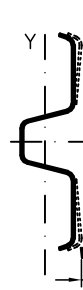
Detail Y



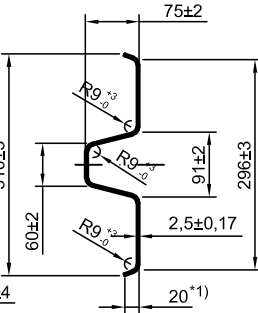
Detail Z



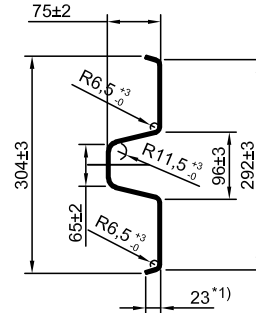
Deflection Y-axis ±5



A-A



B-B



\*1) In these measurements the bandwidth tolerance is recorded. Tolerances of the non-deformed bands according to DIN EN 10051 refer to a nominal width of 435mm and a nominal thickness of 2.5mm ± 0.17

| Part No. | Qty. | Description                 | Dimension        | Single-weight | Overall weight | Material / Quality | Norm               | Drawing |
|----------|------|-----------------------------|------------------|---------------|----------------|--------------------|--------------------|---------|
| 1.1      | 12   | Guardrail beam Profil B     | Bl. 435x2,5x4300 | 37,50         | 450,00         | S355JR             | EN 10025 / EN 1461 | 2.1.1   |
| 2        | 12   | Post C100/60/25/4           | Bl. 238x4x1700   | 13,00         | 156,00         | S355JR             | EN 10025 / EN 1461 | 2.1.2   |
| 10.00    | 12   | Butt plate M16              | Fl. 40x5x115     | 0,20          | 2,40           | S235JR             | EN 10025 / EN 1461 | 2.1.3   |
| 40.00    | 72   | HRK-bolt with nib, with nut | M16x27           | 0,08          | 5,76           | 4.6                | ISO 4032           | 2.1.3   |
| 40.09    | 12   | HRK-bolt with nib, with nut | M16x45           | 0,12          | 1,44           | 8.8                | ISO 4032           | 2.1.3   |
| 40.30    | 84   | Flat washer                 | U18              | 0,01          | 0,84           | 4.6                | ISO 7091           |         |

|                 |  |  |                                    |                            |                              |                   |
|-----------------|--|--|------------------------------------|----------------------------|------------------------------|-------------------|
| <b>PASS+CO®</b> | Weight of the construction: -                                  |  | Weight/Running metter: 12,5 kg     |                            | Test lenght: 48 m            |                   |
|                 | Title, Additional title:<br><b>passco L1 N2-A-W4 (ES 4.00)</b> |  |                                    |                            |                              |                   |
|                 | Part number:<br>-  |  | Material:<br>S355JR;S235JR;4.6;8.8 |                            | Surface:<br>galvanized       |                   |
|                 | Document number:<br>PL1 4.00 B                                 |  | Form.:<br>A3                       | Scale:<br>1:20(1:10) (1:5) | Date of issue:<br>2023-06-26 | Created by:<br>WB |