

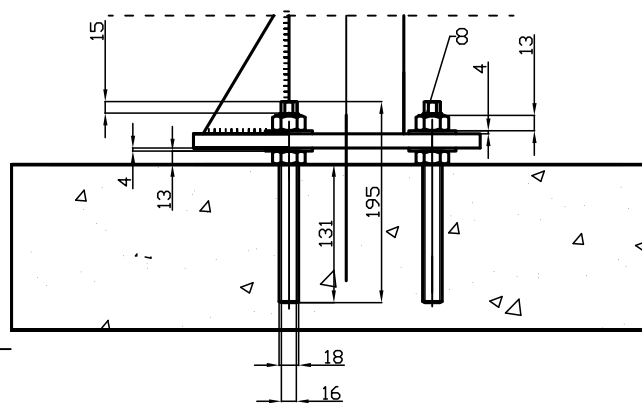
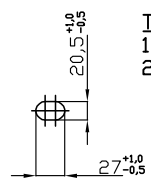
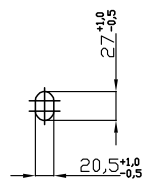
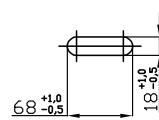
Detail A

Detail B

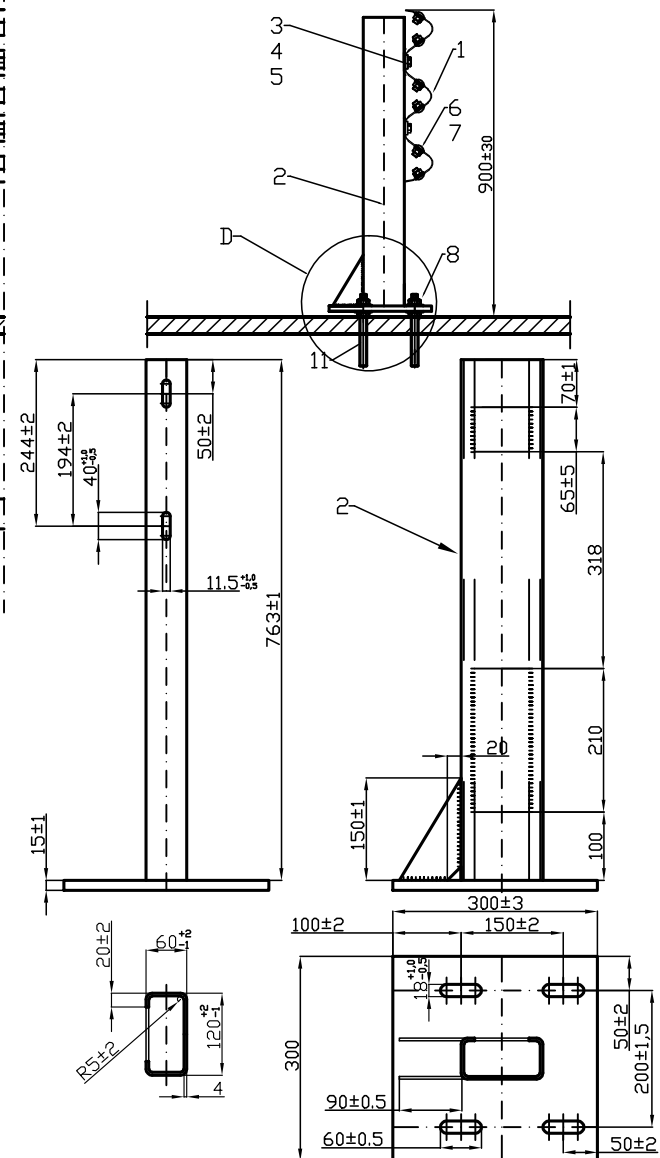
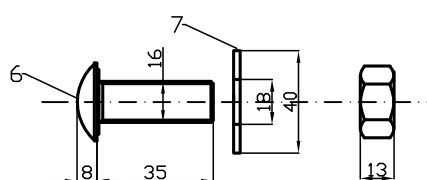
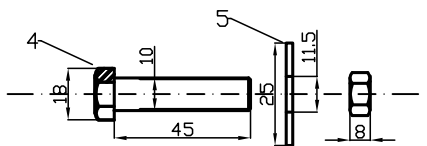
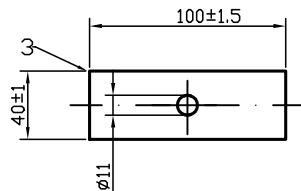
Detail C

Detail D

Technical requirements:
 1) Nominal thickness of steel $\delta = 2.5 \pm 0.17$
 2) Coating - hot dip zinc galvanizing, according to EN 1461:2009



Fish plate thickness $5\text{mm} \pm 0.5\text{mm}$



Part Nr.	Quantity	Description	Dimension	Single weight	Overall weight	Material / Quality	Norm	Drawing
1	18	Beam type A with three waves	L:4310, $\delta=2.5$	62.59	1126.62	S355JR	EN 10025-2/EN 1461	2.1
2	36	Post, $\delta=2.5$ with plate 300x300x15	C120x60x20x778	17.59	633.24	S355JR/S235JR	EN 10025-2/EN 1461	3.1
3	72	Fish plate with hole $\phi 11$	100x40x5	0.16	11.52	S235JR	EN 10025-2/EN 1461	5.1
4	72	Hexagon bolt M10x45 with nut	M10x45	0.05	3.60	6.8	ISD 4017, ISD 4032	5.2
5	72	Washer $\phi 25$	$\phi 25 \times 11.5 \times 4$	0.01	0.72	S235JR	DIN 7349	5.2
6	216	HRK bolt M16x35 with nut	M16x35	0.10	21.60	-	ISD 4032	5.2
7	504	Washer $\phi 40$	$\phi 40 \times 18 \times 4$	0.05	25.20	S235JR	ISD 4759-3	5.3
8	9	Chemical anchor	-	-	-	-	-	-
9	144	Stud bolt M16x195	M16x195	0.40	57.60	8.8	-	-

Weight of the construction: 1880.10 kg

Weight/Running meter: 26.11 kg

Test length

72 m

PASS+CO

Surface	galvanized	General tolerance	Material	S355JR;S235JR;6.8;8.8
Remarks	Created by	T. Baracz	Part number	
	Title, Additional title	passco L2 H2-A-W4 (BW-ES 2.00) 3N	Document	
	Scale	1:20(1:10) (1:5)	She.	00
	Date of Issue	03.2020	Form.	A3