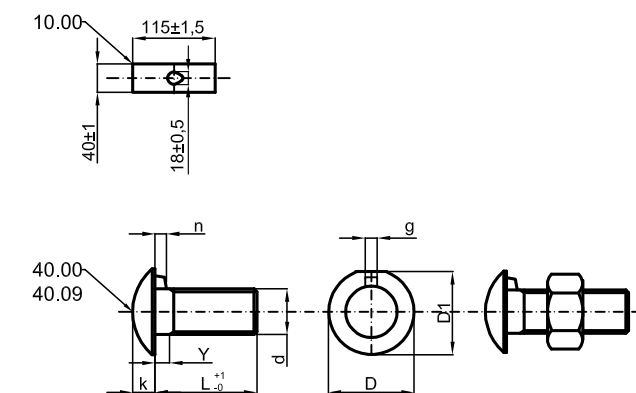
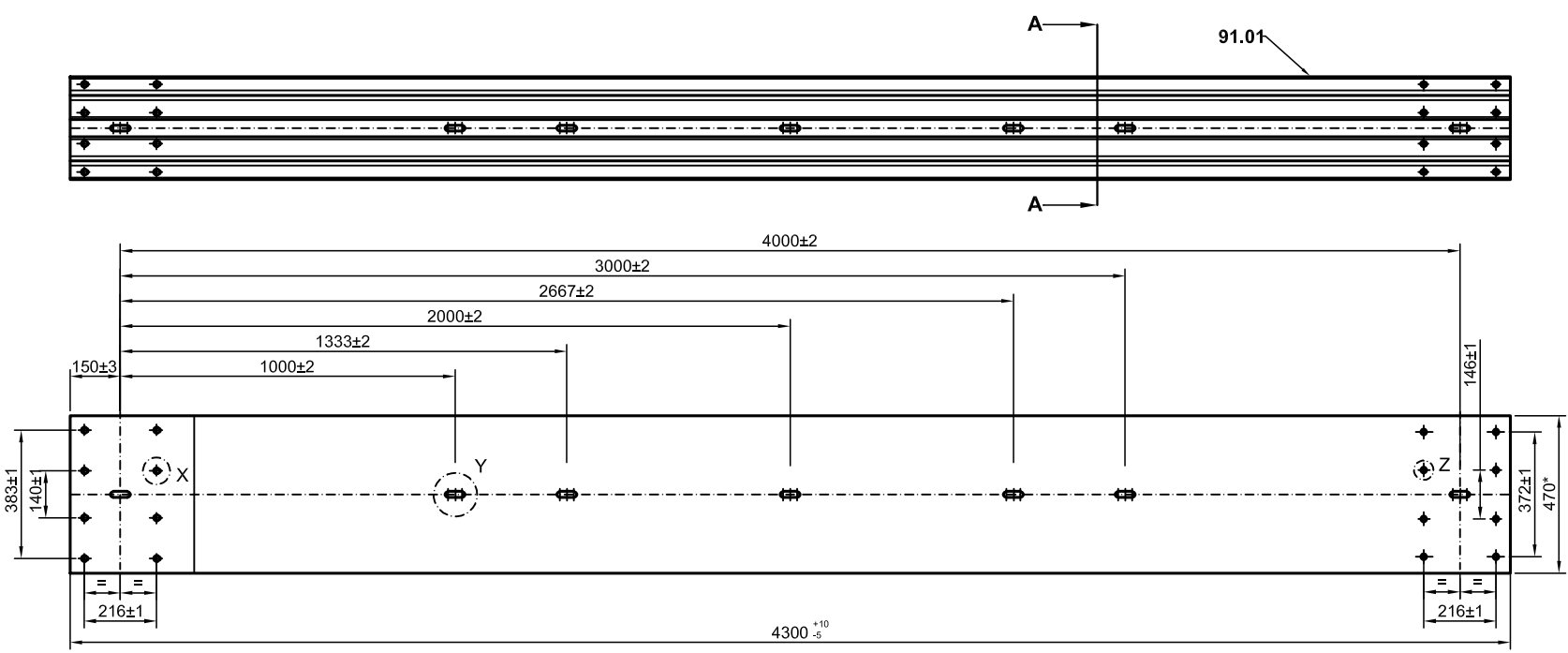
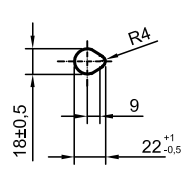


Tolerances of the non-deformed bands according to DIN EN 10051 refer to a nominal width of 238mm

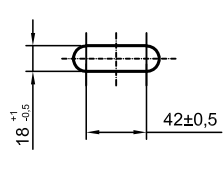


Part No.	d	L	Y	D	D1	k	n	g
40.00	M16	27	5	30	29	8	4	4,2
40.09	M16	45	5	30	29	8	4	4,2

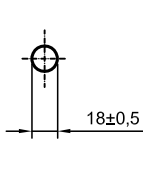
Detail X



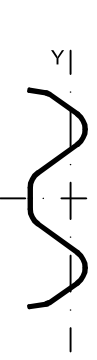
Detail Y



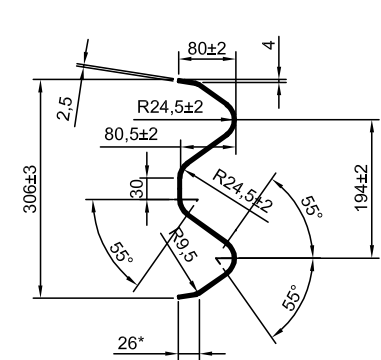
Detail Z



Deflection Y-axis ±5



A-A

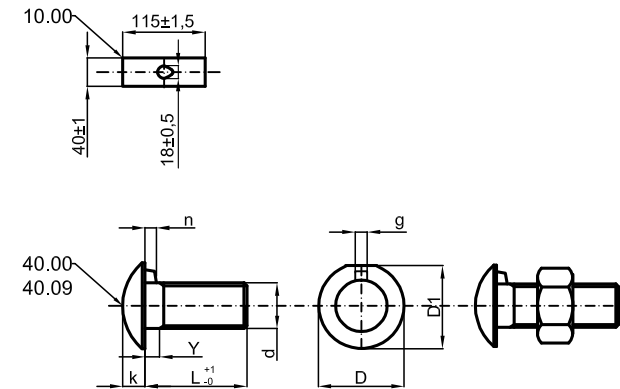
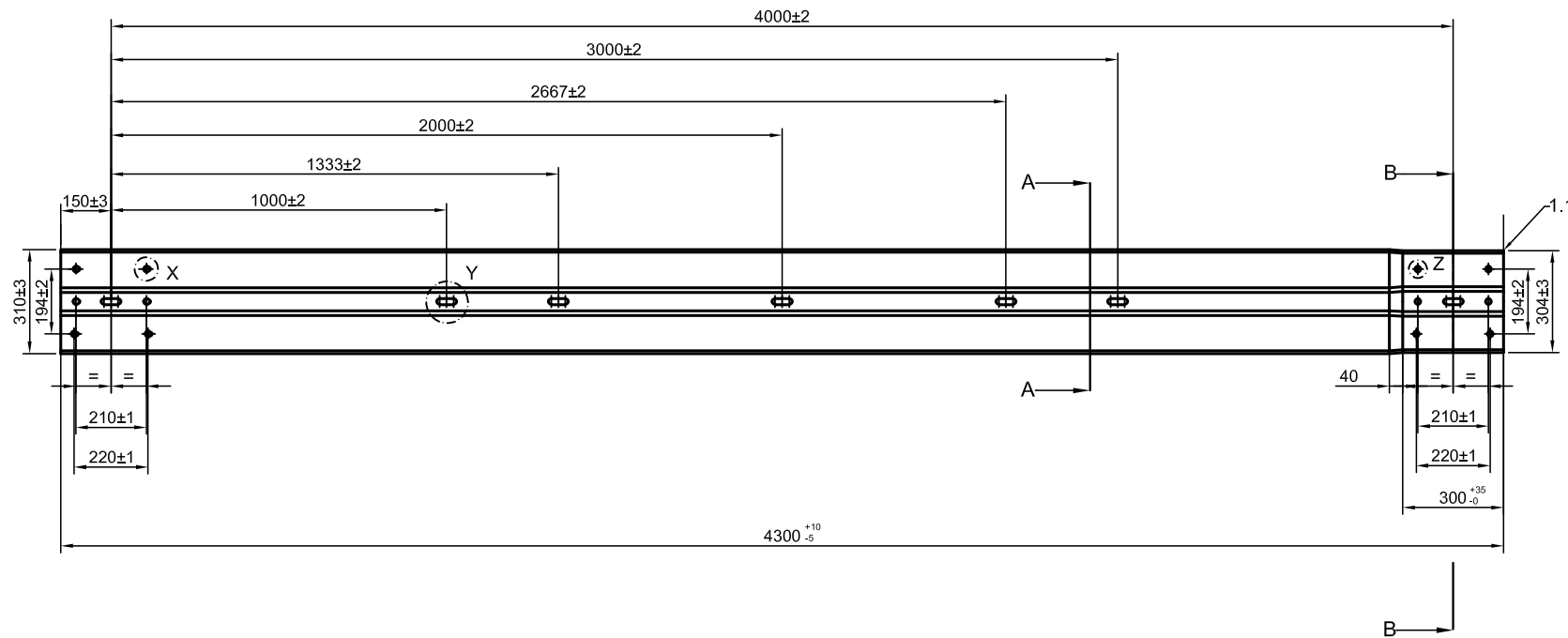
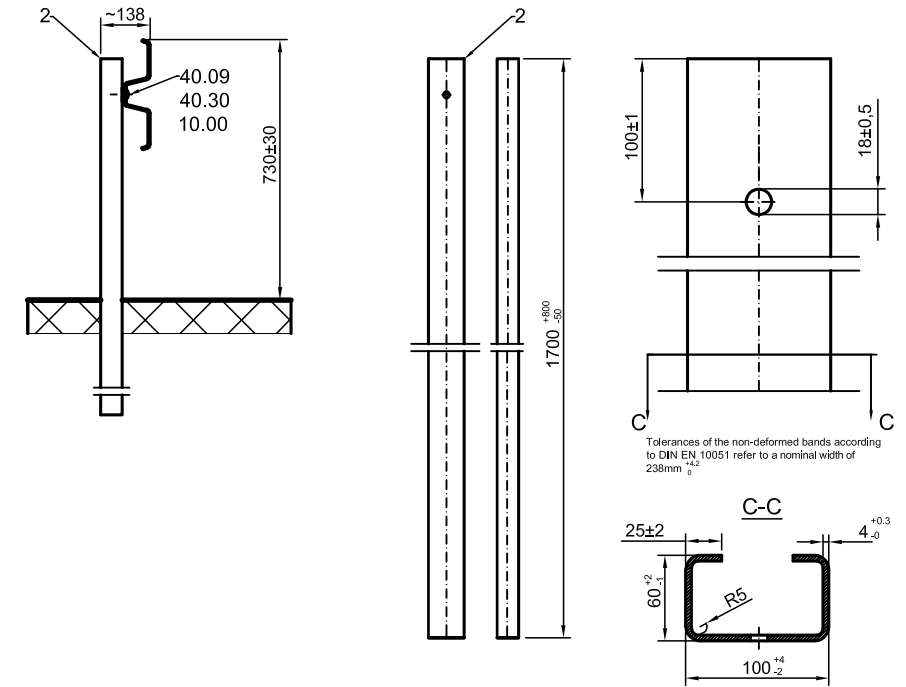
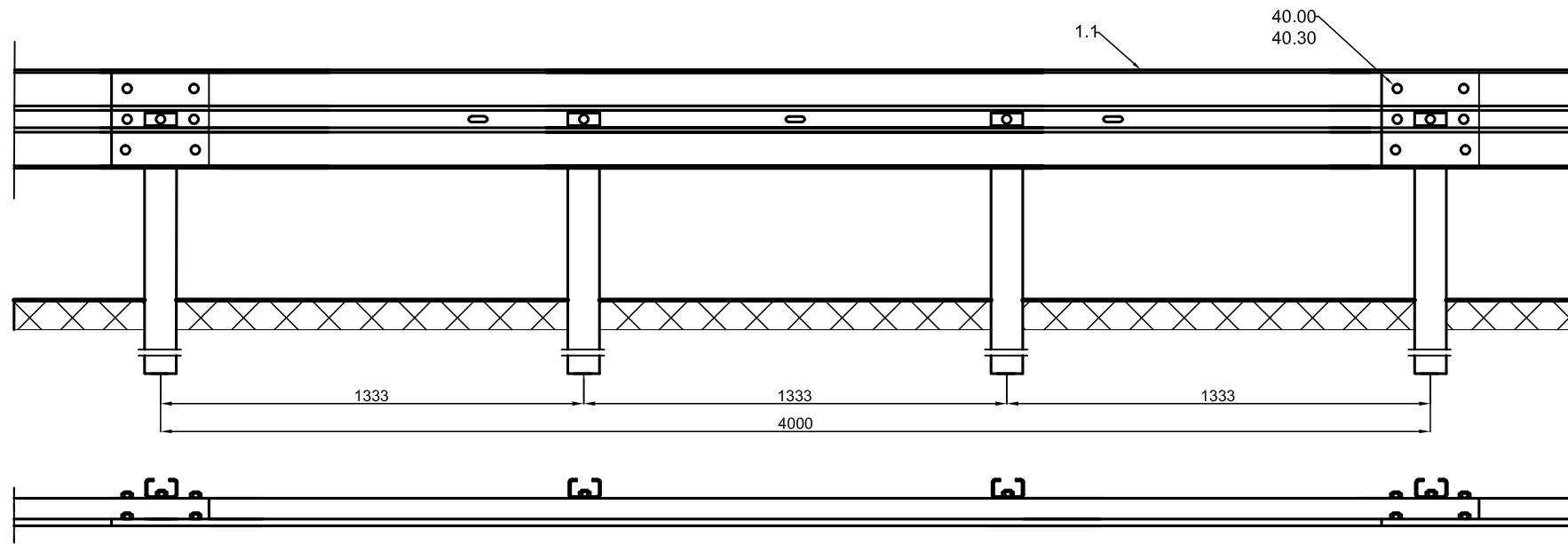


*) In these measurements the bandwidth tolerance is recorded. Tolerances of the non-deformed bands according to DIN EN 10051 refer to a nominal width of 470mm and a nominal thickness of 2,5mm ± 0,17

Part No.	Qty.	Description	Dimension	Single-weight	Overall weight	Material / Quality	Norm	Drawing
91.01	12	Guardrail beam Profil A	Bl. 470x2,5x4300	38,90	466,80	S355JR	EN 10025 / EN 1461	2.1.4
2	36	Post C100/60/25/4	Bl. 238x4x1700	13,00	468,00	S355JR	EN 10025 / EN 1461	2.1.2
10.00	36	Butt plate M16	Fl. 40x5x115	0,20	7,20	S235JR	EN 10025 / EN 1461	2.1.3
40.00	96	HRK-bolt with nib, with nut	M16x27	0,08	7,68	4.6	ISO 4032	2.1.3
40.09	36	HRK-bolt with nib, with nut	M16x45	0,12	4,32	8.8	ISO 4032	2.1.3
40.30	132	Flat washer	U18	0,01	1,32	4.6	ISO 7091	

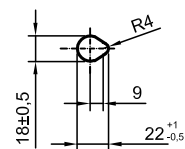
Weight of the construction: -		Weight/Running metter: 19,5 kg	Test lenght: 48 m
Title, Additional title: passco L1 N2/H1-A-W2/W3 (ES 1.33)			
Part number: -	Material: S355JR;S235JR;4.6;8.8	Surface: galvanized	
Document number: PL1 1.33 A	Form.: A3	Scale: 1:20(1:10) (1:5)	Date of issue: 2023-06-26 Created by: WB



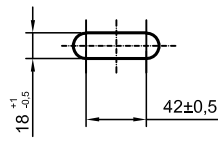


Part No.	d	L	Y	D	D1	k	n	g
40.00	M16	27	5	30	29	8	4	4.2
40.09	M16	45	5	30	29	8	4	4.2

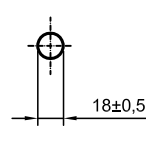
Detail X



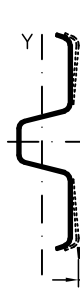
Detail Y



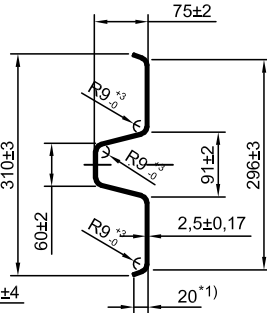
Detail Z



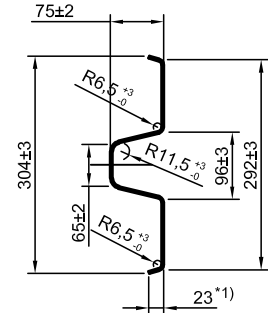
Deflection Y-axis ±5



A-A



B-B



*1) In these measurements the bandwidth tolerance is recorded. Tolerances of the non-deformed bands according to DIN EN 10051 refer to a nominal width of 435mm⁺² and a nominal thickness of 2.5mm ± 0.17

Part No.	Qty.	Description	Dimension	Single-weight	Overall weight	Material / Quality	Norm	Drawing
1.1	12	Guardrail beam Profil B	Bl. 435x2,5x4300	37,50	450,00	S355JR	EN 10025 / EN 1461	2.1.1
2	36	Post C100/60/25/4	Bl. 238x4x1700	13,00	468,00	S355JR	EN 10025 / EN 1461	2.1.2
10.00	36	Butt plate M16	Fl. 40x5x115	0,20	7,20	S235JR	EN 10025 / EN 1461	2.1.3
40.00	72	HRK-bolt with nib, with nut	M16x27	0,08	5,76	4.6	ISO 4032	2.1.3
40.09	36	HRK-bolt with nib, with nut	M16x45	0,12	4,32	8.8	ISO 4032	2.1.3
40.30	108	Flat washer	U18	0,01	1,08	4.6	ISO 7091	

PASS+CO®

Weight of the construction: - Weight/Running metter: 18,7 kg Test lenght: 48 m

Title, Additional title:
passco L1 N2/H1-A-W2/W3 (ES 1.33)

Part number: -	Material: S355JR;S235JR;4.6;8.8	Surface: galvanized
Document number: PL1 1.33 B	Form.: A3	Scale: 1:20(1:10) (1:5)
	Date of issue: 2023-06-26	Created by: WB