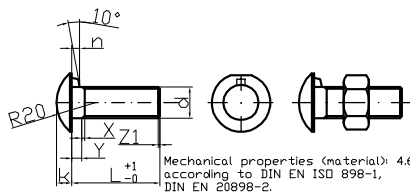


1) In these measurements the bandwidth tolerance is recorded. Tolerances of the non-deformed bands according to DIN EN 10051 refer to a nominal width of 435mm¹⁾ and a nominal thickness of 3mm ± 0.17.

2) Perforation is not absolutely necessary. Tubes with or without additional holes are drilling as equivalent in principle view.



Mechanical properties (material): 4.6 according to DIN EN ISO 898-1, DIN EN 20898-2. Design: C. according to DIN EN ISO 4759-1

Part No.	d	L	Y	D	D1	k	l	n	g
40.00	M16	27	5	30	29	8	4	4	4.2
40.54	M10	45	5						

Deck plate thickness 5mm ± 0.5mm

Item no.	Quantity	Description	Dimension	Single-weight	Overall weight	Material / Quality	Norm	Drawing
91.02	12	Guard rail beam Profil B	B1. 435x2.5x4300	35.90	430.8	S355JR	EN 10025 / EN 1461	
91.07	36	Post C100/60 with footplate		10.07	362.5	S355JR	EN 10025 / EN 1461	
10.10	36	Butt plate M10	Fl. 40x5x115	0.20	7.2	S235JR	EN 10025 / EN 1461	K1.2-101
40.00	72	HRK-bolt with nib, with nut	M16x27	0.10	7.2	4.6	ISO 4032-5	B1.2-101
40.30	72	Flat washer	U 18	0.01	0.72	4.6	ISO 7091	
40.54	36	Hexagon bolt m. Nose with nut	M10x45	0.05	4.32	8.8	ISO 4032-8	
40.60	36	Flat washer	U 11	-	-	-	-	
41.02	144	Toqe TSM-BS 14 x 220		0.21	30.2	-	-	

Weight of the construction: 8352 kg

Test length

Weight/Running meter: 17.4 kg

48m

PASS+CO®

General tolerance Material S355JR;S235JR;4.6;8.8

Remarks Created by T. Baracz

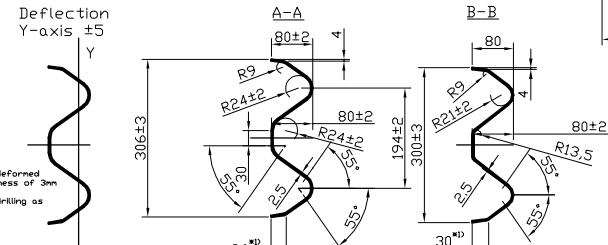
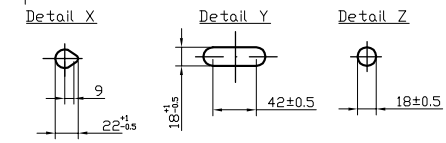
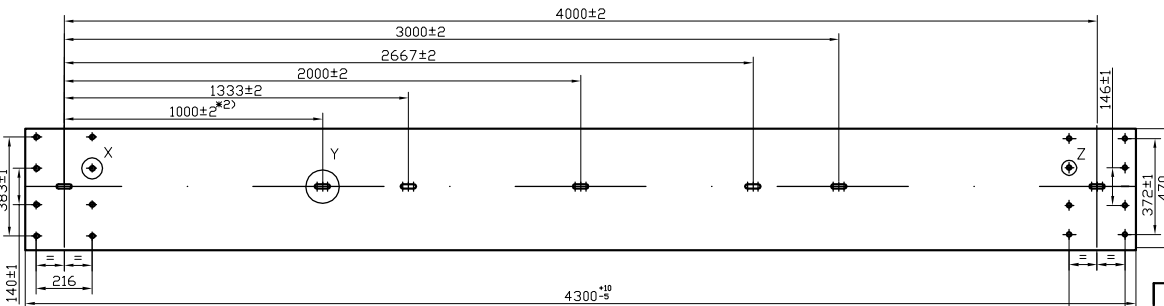
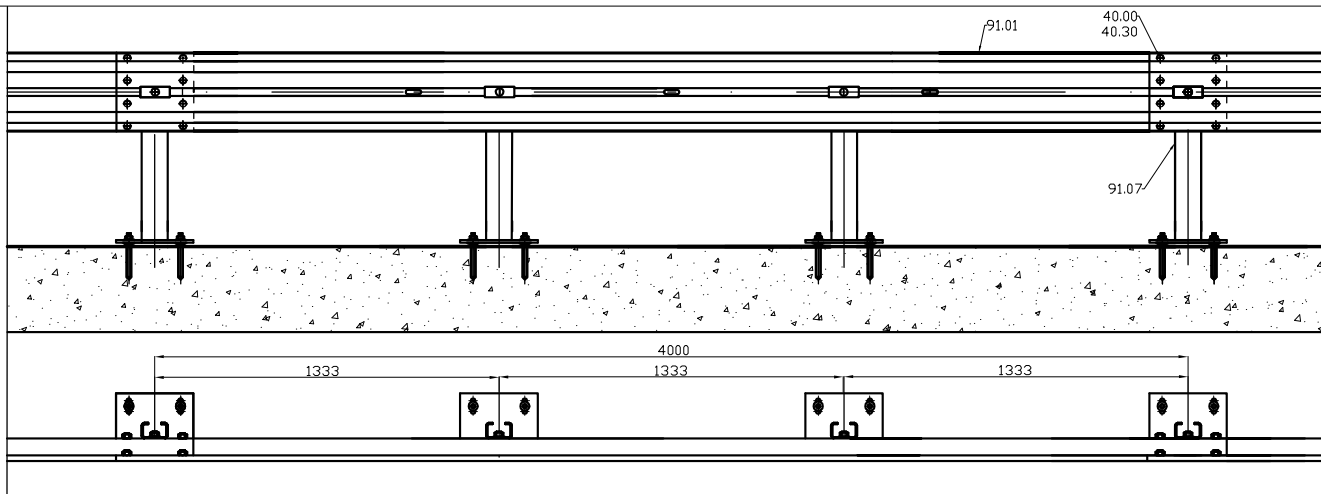
Part number

Title, Additional title

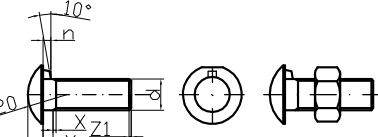
Document

passco L1 HI-A-W4 (BW-ES 1.33)

Scale 1:20(1:10) (1:5) She. 00 Date of issue 15.06.2016 Form. A3



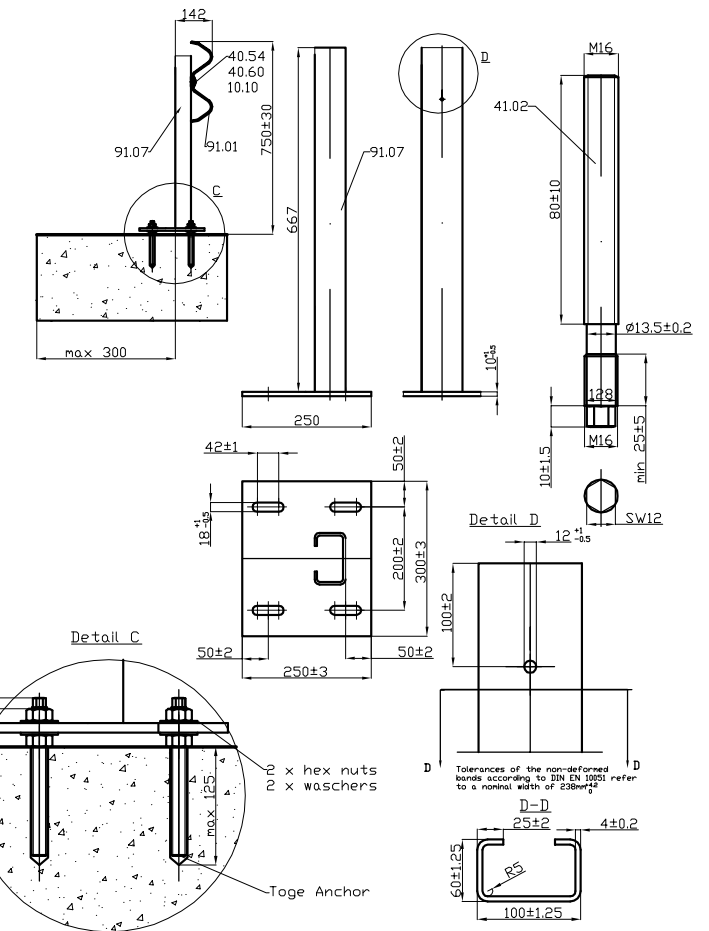
M1) In these measurements the bandwidth tolerance is recorded. Tolerances of the non-deformed bands according to DIN EN 10051 refer to a nominal width of 470mm⁺² and a nominal thickness of 3mm^{±0.07}
 M2) Perforation is not absolutely necessary. Tubes with or without additional holes are drilling as equivalent in principle view.



Mechanical properties (material): 4.6 according to DIN EN ISO 898-1, DIN EN 20898-2.
 Design: C. according to DIN EN ISO 4759-1

Part No.	d	L	Y	D	D1	k	i	n	g
40.00	M16	27	5	30	29	8	4	4	4.2
40.54	M10	45	5						

Deck plate thickness 5mm ± 0.5mm



Item no.	Quantity	Description	Dimension	Single-weight	Overall weight	Material / Quality	Norm	Drawing
91.01	12	Guard rail beam Profil A	Bl. 470x2.5x4300	38.90	466.8	S355JR	EN 10025 / EN 1461	
91.07	36	Post C100/60 with Footplate		10.07	362.5	S355JR	EN 10025 / EN 1461	
10.10	36	Butt plate M10	Fl. 40x5x115	0.20	7.2	S235JR	EN 10025 / EN 1461	K1.2-101
40.00	96	HRK-bolt with rib, with nut	M16x27	0.10	9.6	4.6	ISO 4032-5	Bl.2-101
40.30	96	Flat washer	U 18	0.01	0.96	4.6	ISO 7091	
40.54	36	Hexagon bolt m. Nose with nut	M10x45	0.05	4.32	8.8	ISO 4032-8	
40.60	36	Flat washer	U 11	-	-	-	-	
41.02	144	Toge TSM-BS 14 x 220		0.21	30.2	-	-	

Weight of the construction: 8736 kg
 Weight/Running meter: 18.2 kg
 Test length: 48m

PASS+CO®

General tolerance: Material S355JR;S235JR;4.6;8.8

Remarks: Created by T. Baracz; Part number

Title, Additional title: passco L1 H1-A-W4 (BW-ES 1.33); Document

Scale: 1:20(1:10) (1:5); She. 00; Date of issue: 15.06.2016; Form: A3