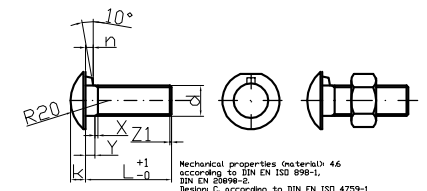
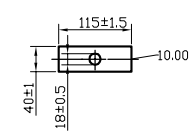
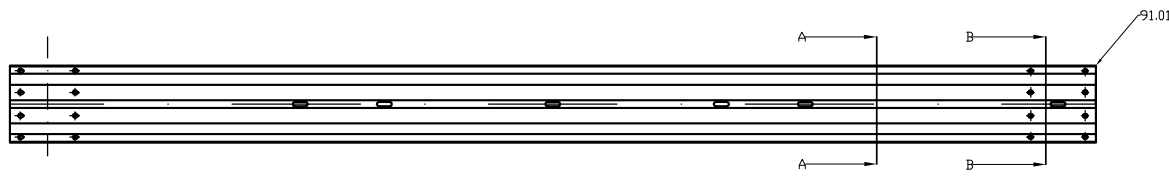
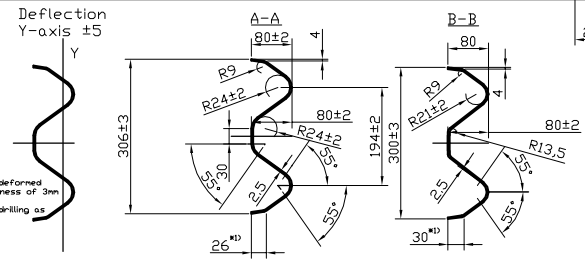
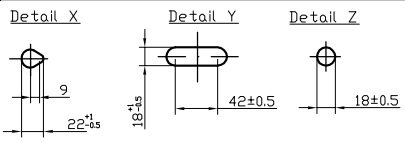
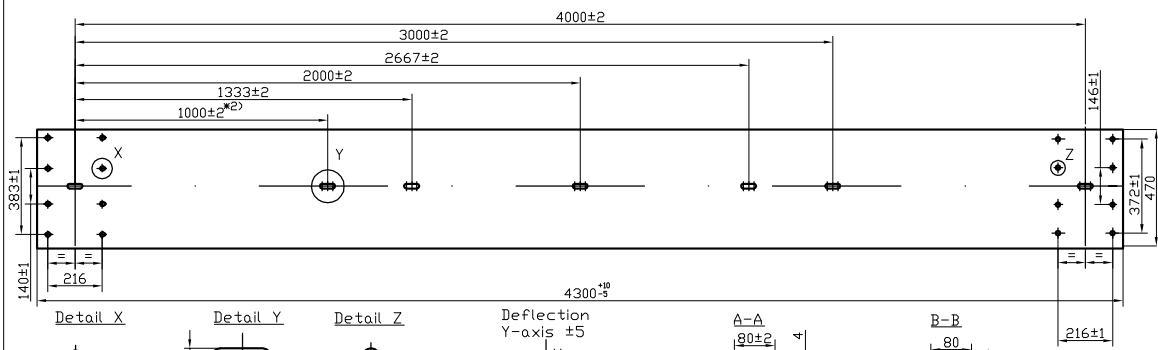


Tolerances of the non-deformed bands according to DIN EN 10051 refer to a nominal width of 238mm.



Deck plate thickness 5mm ± 0.5mm

Part No.	d	L	Y	D	D1	k	i	n	g
40.00	M16	27	5	30	29	8	4	4	4,2
40.09	M16	45	5	30	29	8	4	4	4,2



\*1) In these measurements the bandwidth tolerance is recorded. Tolerances of the non-deformed bands according to DIN EN 10051 refer to a nominal width of 470mm and a nominal thickness of 3mm ± 0.17.  
 \*2) Perforation is not absolutely necessary. Tubes with or without additional holes are drilling as equivalent in principle view.

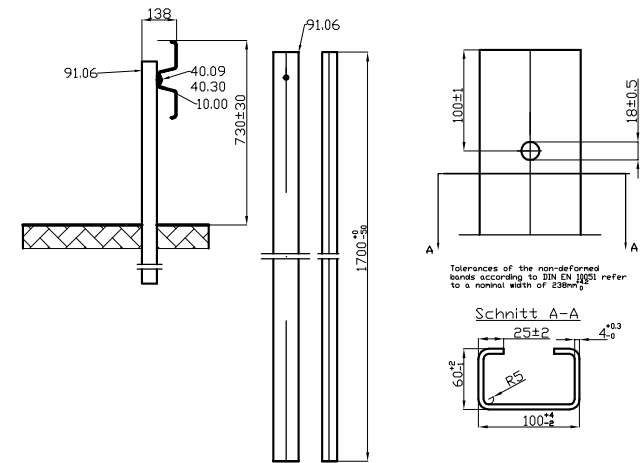
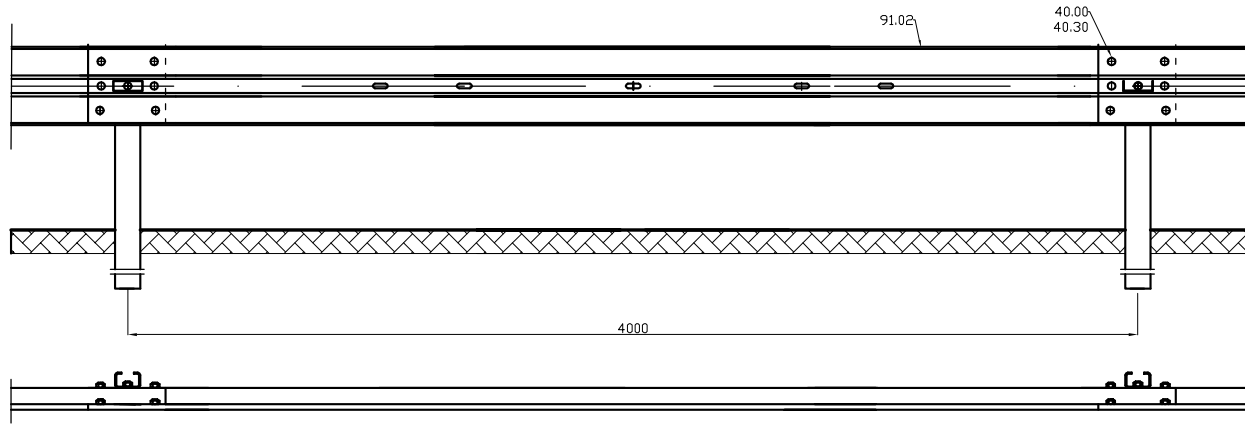
Item no.	Quantity	Description	Dimension	Single-weight	Overall weight	Material / Quality	Norm	Drawing
91.01	12	Guard rail beam Profil A	Bl. 470x25x4300	38.75	465	S355JR	EN 10025 / EN 1461	
91.06	12	Post C100/60	Bl. 238x4x1700	13.00	156	S355JR	EN 10025 / EN 1461	
10.00	12	Butt plate M16	Fl. 40x5x115	0.20	2.4	S235JR	EN 10025 / EN 1461	K1.2-101
40.00	96	HRK-bolt with nib, with nut 5	M16x27	0.1	9.6	4.6	ISO 4032-5	B1.2-101
40.30	108	Flat washer	U 18	0.01	1.08	4.6	ISO 7091	
40.09	12	HRK-Screw with nib, with nut	M16x45	0.15	1.8	8.8	ISO 4032-8	

Weight of the construction: 6336  
 Weight/Running meter: 13.20

Test length  
 48 m

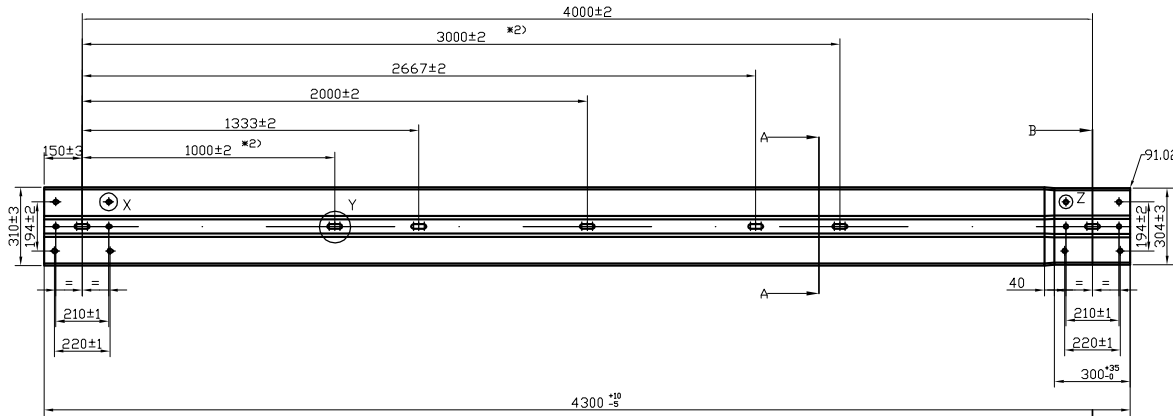
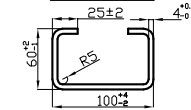


Surface	galvanized	General tolerance	Material	S355JR,S235JR,4.6;8.8
Remarks	Created by	T. Baracz	Part number	PL1 5.00 A
	Title, Additional title	passco L1 N2-A-W4 (ES 4.00) YE	Document	
	Scale	1:20(1:10) (1:5)	She.	00
	Date of Issue	12.05.2016	Form.	A3

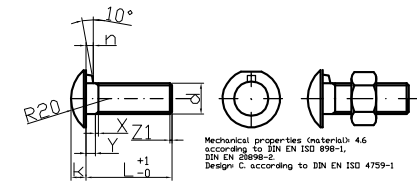
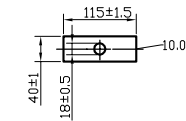


Tolerances of the non-deformed bands according to DIN EN 10051 refer to a nominal width of 238mm.

Schnitt A-A



Deck plate thickness 5mm ± 0.5mm



Mechanical properties (material) 4.6 according to DIN EN ISO 898-1, DIN EN 23898-2, Design C according to DIN EN ISO 4759-1

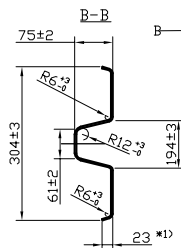
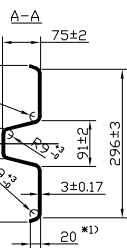
Part No.	d	L	Y	D	D1	k	i	n	g
40.00	M16	27	5	30	29	8	4	4	4.2
40.09	M16	45	5	30	29	8	4	4	4.2

Detail X

Detail Y

Detail Z

Deflection Y-axis ±5



M1) In these measurements the bandwidth tolerance is recorded. Tolerances of the non-deformed bands according to DIN EN 10051 refer to a nominal width of 435mm and a nominal thickness of 3mm ± 0.17.  
M2) Perforation is not absolutely necessary. Tubes with or without additional holes are drilling as equivalent in principle view.

Item no.	Quantity	Description	Dimension	Single-weight	Overall weight	Material / Quality	Norm	Drawing
91.02	12	Guard rail beam Profil B	BL 435x2.5x4300	35.90	430.8	S355JR	EN 10025 / EN 1461	
91.06	12	Post C100/60	FL 238x4x1700	13.00	156	S355JR	EN 10025 / EN 1461	
10.00	12	Butt plate M16	FL 40x5x115	0.20	2.4	S235JR	EN 10025 / EN 1461	K1.2-101
40.00	72	HRK-bolt with nib, with nut 5	M16x27	0.1	7.2	4.6	ISO 4032-5	B1.2-101
40.30	84	Flat washer	U 18	0.01	0.84	4.6	ISO 7091	
40.09	12	HRK-Screw with nib, with nut	M16x45	0.15	1.8	8.8	ISO 4032-8	

Weight of the construction: 596.44

Weight/Running meter: 12.42

Test length 48 m



Surface	galvanized	General tolerance	Material	S355JR, S235JR, 4.6, 8.8
Remarks		Created by	Approved by	Part number
		T. Baracz		PL1 5.00 B
		Title, Additional title	Document	
		passco L1 N2-A-W4 (ES 4.00) YE		
		Scale	She.	Date of Issue
		1:20(1:10) (1:5)	00	12.05.2016
				Form.
				A3